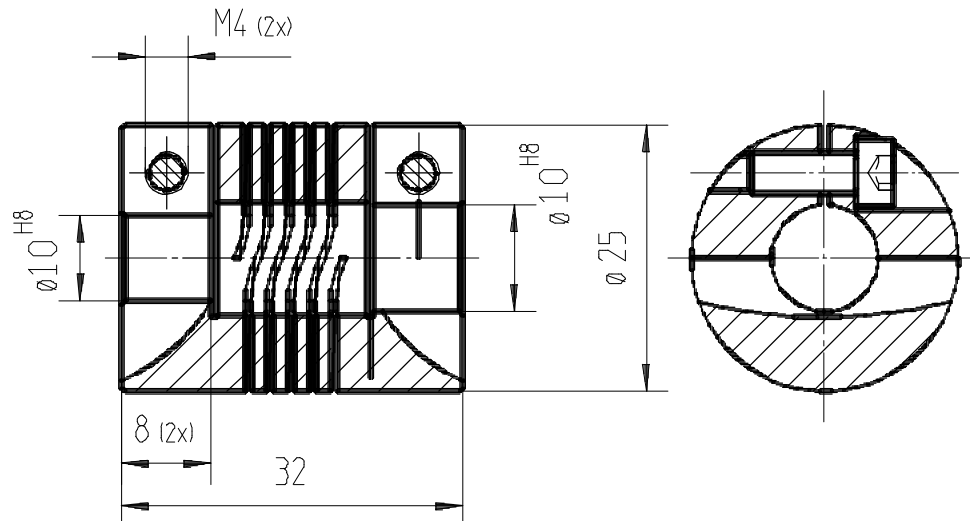


1. The shaft couplings

Encoders are precision measuring units and therefore have to be kept apart from the vibrations and tremors, as well as the from the misalignment of the machine. To part the encoder from these influences use the flexible shaft couplings.

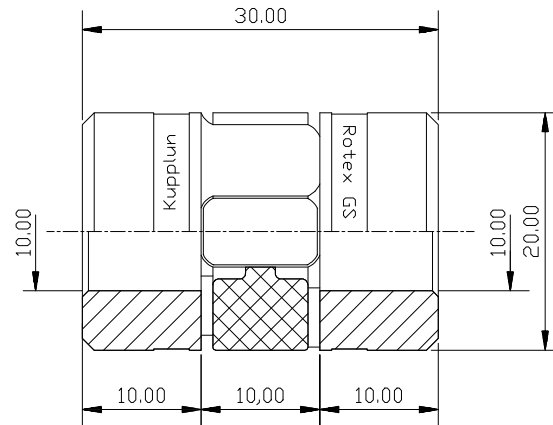
1.1. Wendel - shaft couplings type: WK/A/10-10



1.1.1. Technical data

Outer diameter	25 mm
Length	32 mm
Clamp-screw	M4
Nominal torsial moment	120 Ncm
Acceptable radial shift	+/- 0.35 mm
Acceptable axial shift	+/- 0.5 mm
Acceptable angle-shift	+/- 4 degree
Torsions strength	16 Nm/rad
Acceptable rotation speed	6000 U/min
Weight	ca. 34g

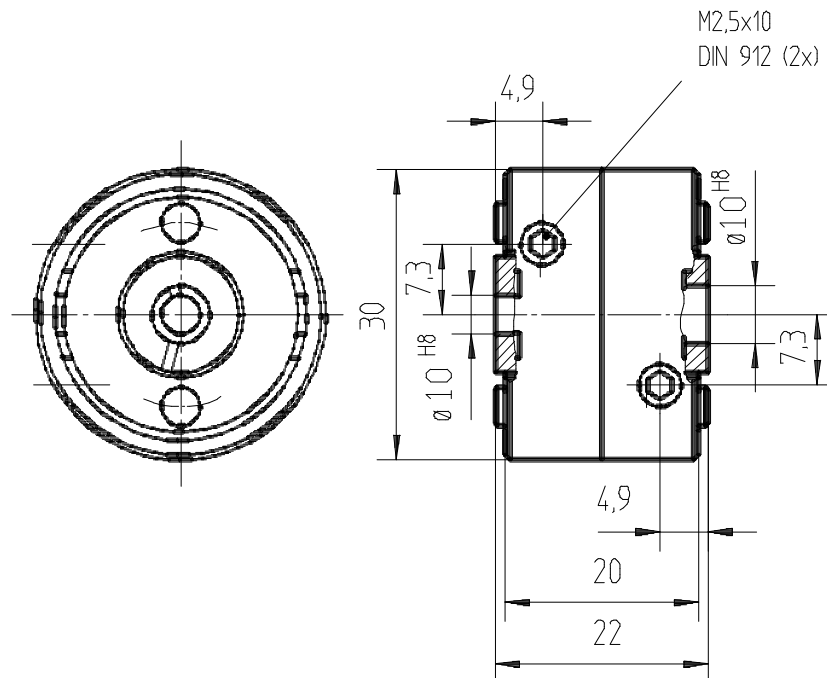
1.2. The shaft couplings WK/K/10-10



1.2.1. Technical data

Outer diameter	20mm
Length	29,5mm
Clamp screw	M 2,5
Standart torque	1,94 Nm
Valid radial shift.....	+/- 0,13 mm
Valid axial shift.....	+/- 0,8 mm
Valid angular misalignment.....	+/- 1 Grad
Torsion stiffness.....	31,5 Nm/rad
Valid torque	28000 min ⁻¹
Weight.....	20 g

1.3. Isolting springdisks - shaft coupling type: WK/D/10-10

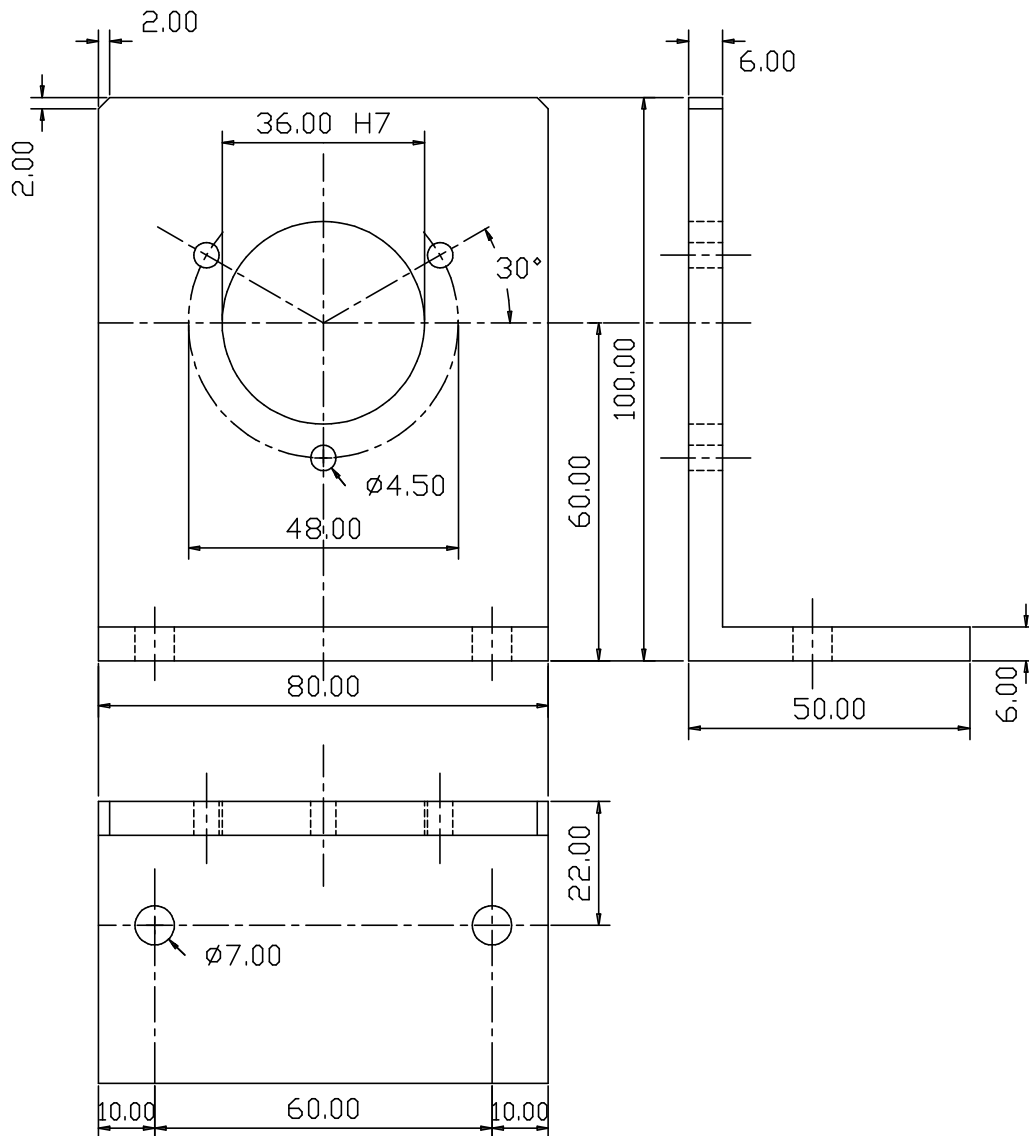


1.3.1. Technical data

Outer diameter	30 mm
Length	22 mm
Clamp-screw	M2.5
Nominal torsial moment	40 Ncm
Acceptable radial shift	+/- 0.4 mm
Acceptable axial shift	+/- 0.4 mm
Acceptable angle-shift	+/- 2.5 Grad
Torsions strength	90 Nm/rad
Acceptable rotation speed	12000 U/min
Weight	ca. 23 g

2. Clamping

2.1. Angle flange type: WF/AG



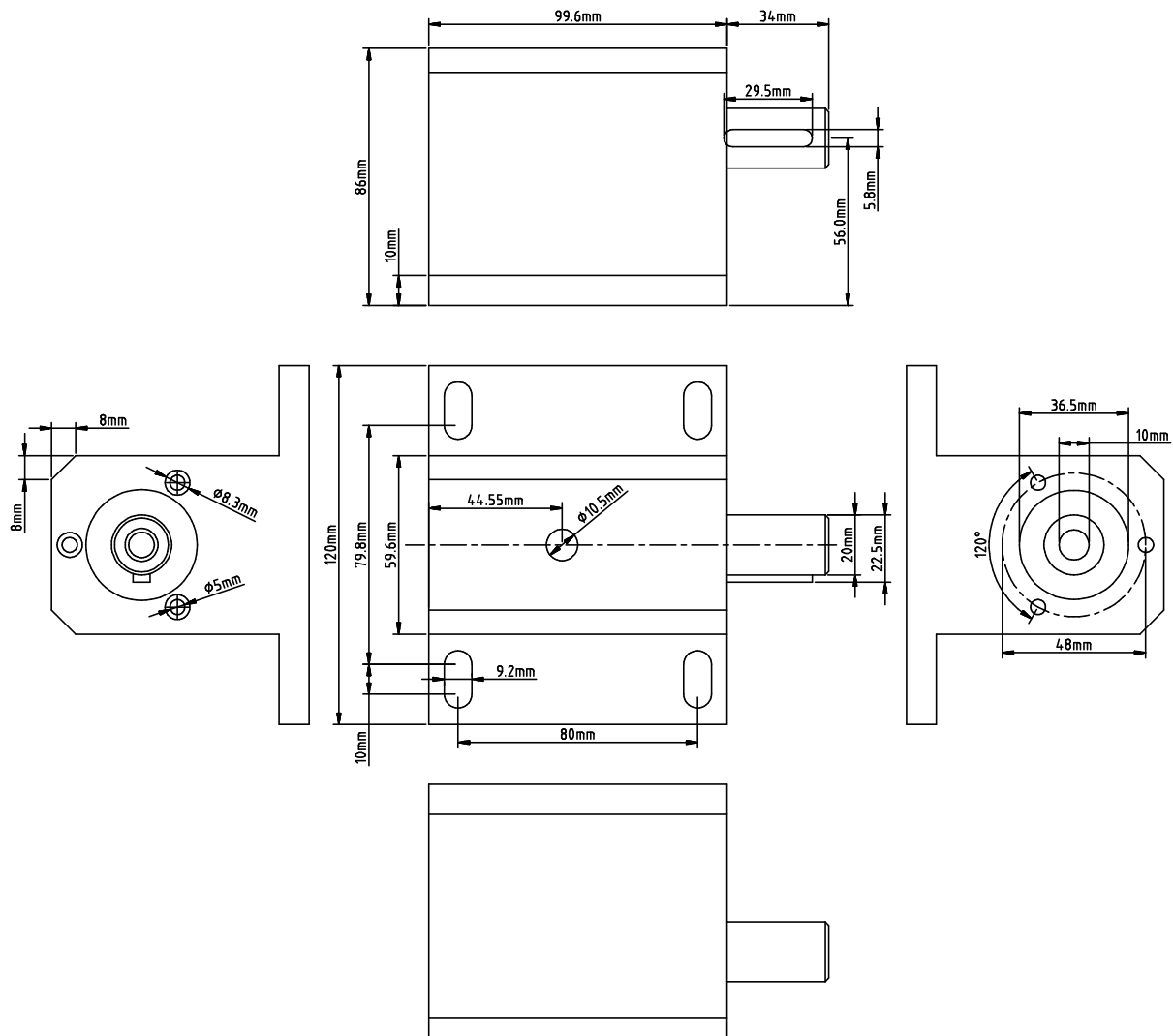
2.1.1. Technical data

Suitable for..... AAG60007, AAG612, AAG626, AAG66107,
AAG615 and ADG60 i.e. all turn-angle-encoder
with 48 mm partial circle, 36 mm flange and 10 mm
shaft.

Clamping of the turn-angle-encoder by three DIN 912 M4x12mm screws.

Weight..... approximately 180g.

2.2. Bearing trestle: LAG60



2.2.1. Technical data

Suitable for.....	AAG60007, AAG612, AAG626, AAG66107, AAG615 and ADG60 i.e. all turn-angle-encoder with 48 mm partial circle, 36 mm flange and 10 mm shaft.
Acceptable rotation speed	3000 U/min.
Shaft drive.....	20mm with closed shaft notch.
Shaft drive.....	10mm to the turn-angle-encoder with shaft coupling WK/K/10-10.
Bearing.....	2 pieces, maintenance free groove - ball bearings.
Clamping of the tiurn angle encoder	by 3 DIN 912 M4x40mm screws.
Weight.....	approximately. 1.5kg.